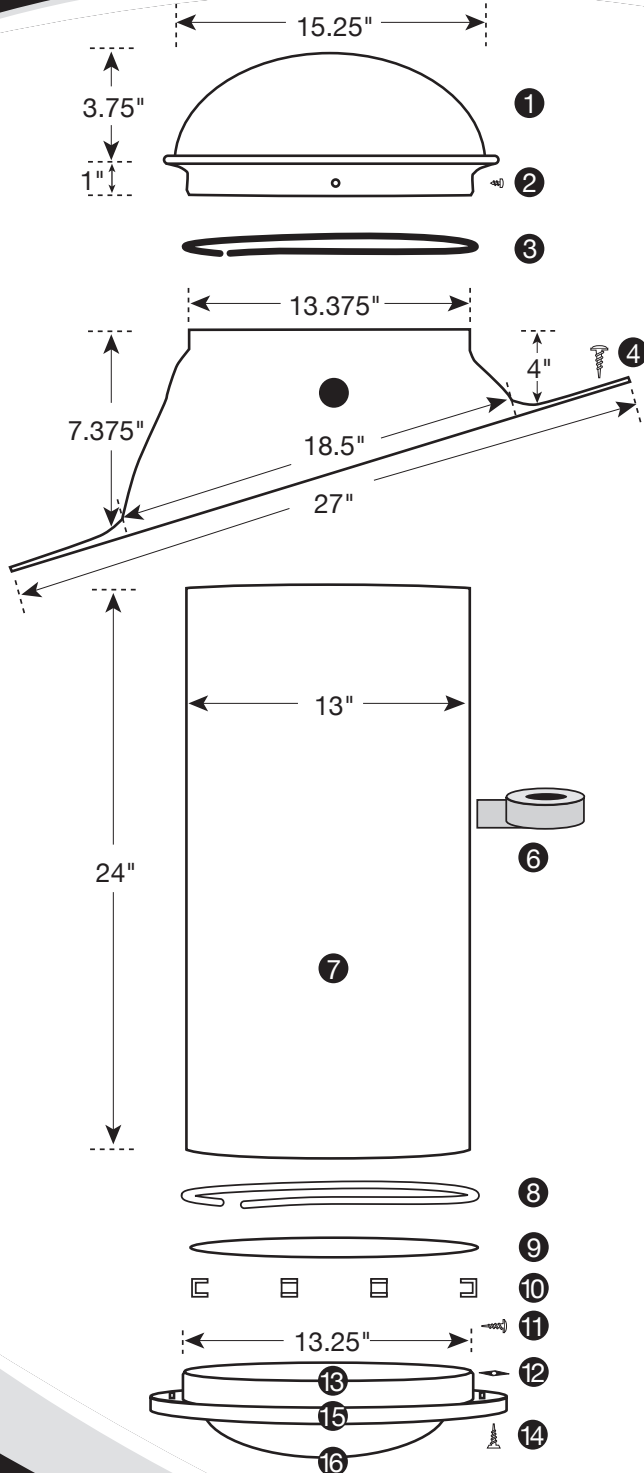


13" Tubular Skylight Technical Specifications



PITCHED ROOF FLASHING

1. Clear UV Protected, 100% High Impact Modified Acrylic Dome
2. (4) Phillips Head Stainless Steel 1/4" Sheet Metal Screws
3. Black Nylon Horse Hair Gasket (self-adhesive backed)
4. (6) Phillips Head Stainless Steel 1 1/2" Screws
5. Commercial Pure Grade, 1100 Series Aluminum Flashing
6. Heavy Duty Foil Tape
7. Light Pipe, (2) 24" Sections per Kit
8. White Nylon Horse Hair Gasket (self-adhesive backed)
9. (1) Large and (2) Small Polycarbonate Lenses
10. (4) U-channel PVC tabs (self-adhesive backed)
11. (6) Tek Screws
12. (3) Black Speed Nuts
13. Aluminum Ceiling Ring
14. (3) 1 1/2" Phillips Head Screws
15. White Powder Coated Aluminum Trim Ring
16. Choice of Soft White or Prismatic Diffuser



COVERAGE AREA

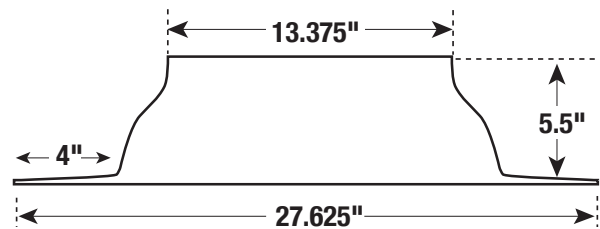
up to 300 sq. ft.

WATTAGE OUTPUT EQUIVALENT

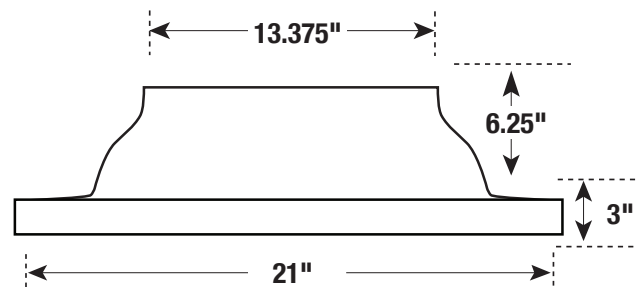
up to 500 watts

MAXIMUM TUBE LIGHT LENGTH

20 feet

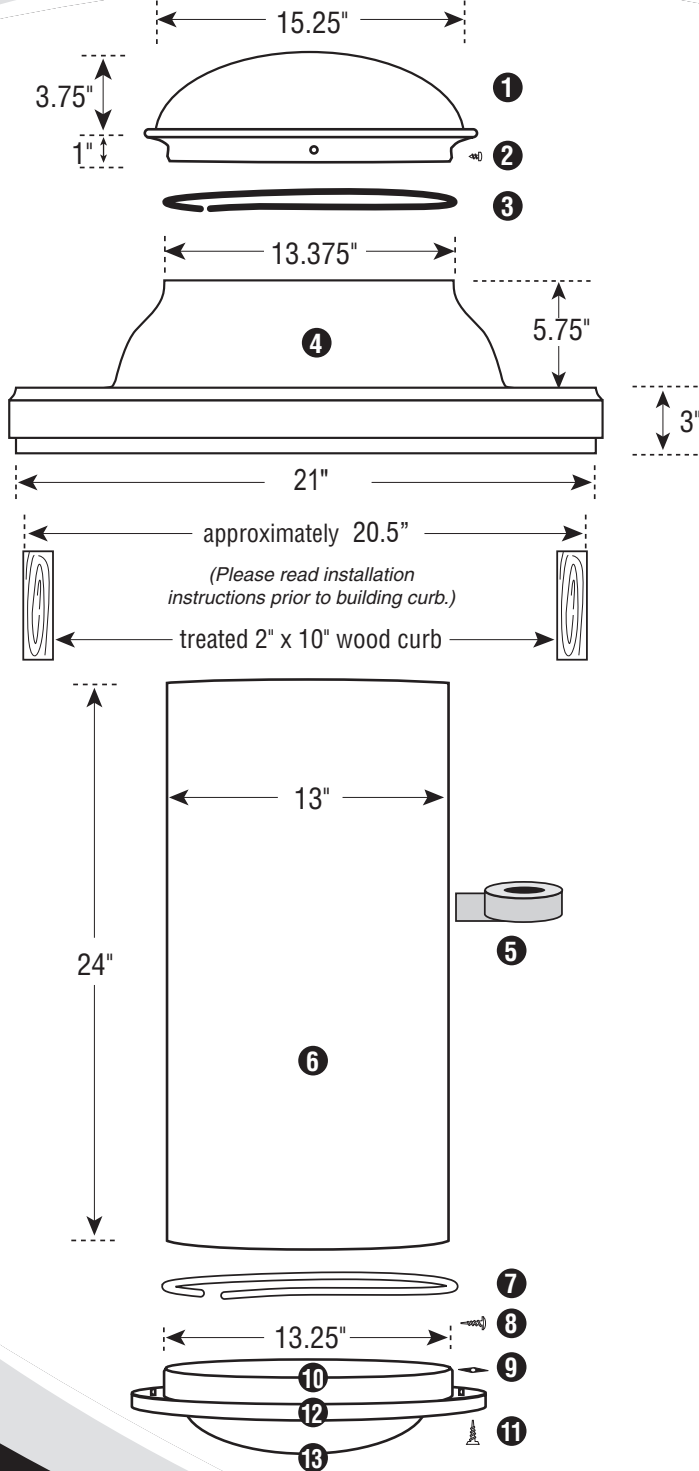


FLAT ROOF FLASHING



CURB-MOUNTED FLASHING

13" Tubular Skylight Technical Specifications



13" CURB-MOUNTED FLASHING

1. Clear UV Protected, 100% High Impact Modified Acrylic Dome
2. (4) Phillips Head Stainless Steel 1/4" Sheet Metal Screws
3. Black Nylon Horse Hair Gasket (Self-Adhesive Backed)
4. Commercial Pure Grade 1100 Series Aluminum Flashing
5. Heavy Duty Foil Tape
6. Light Pipe, (2) 24" Sections per Kit
7. White Nylon Horse Hair Gasket (Self-adhesive Backed)
8. (6) Tek Screws
9. (3) Black Speed Nuts
10. Aluminum Ceiling Ring
11. (3) 1 1/2" Phillips Screws
12. White Powder Coated Aluminum Trim Ring
13. High Impact Acrylic Soft White or Prismatic Diffuser

COVERAGE AREA

up to 300 sq. ft.

WATTAGE OUTPUT EQUIVALENT

up to 500 watts

MAXIMUM TUBE LIGHT LENGTH

20 feet

ICBO
Approved



OPTIONAL REMOTE CONTROLLED DIMMER

