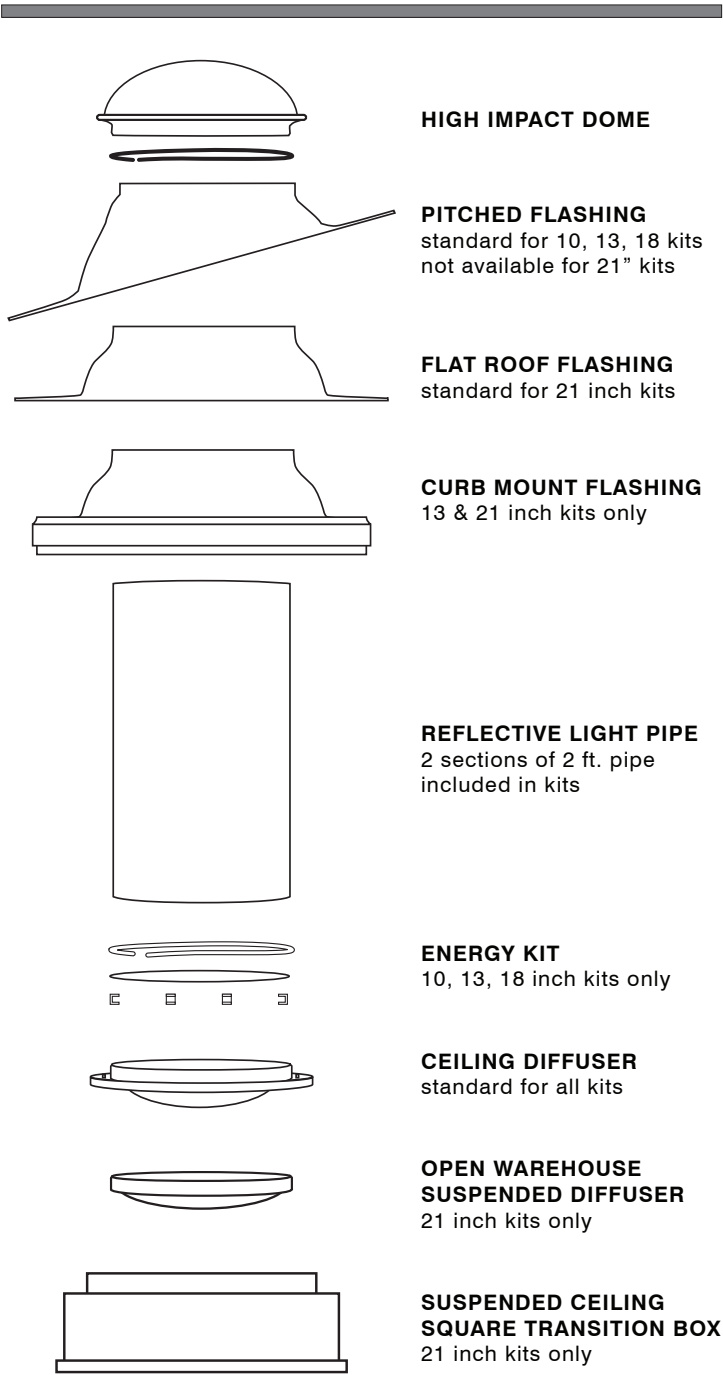


Dealer:	Date:	<input type="checkbox"/> Quote Only <input type="checkbox"/> Dealer PO
Attn:	Phone:	Fax:
TUBULAR SKYLIGHT ORDER FORM		

	10" KIT	13" KIT	18" KIT	21" KIT
Quantity				
Roof Flashing	<input type="checkbox"/> Pitched (standard) <input type="checkbox"/> Flat Roof	<input type="checkbox"/> Pitched (standard) <input type="checkbox"/> Flat Roof <input type="checkbox"/> Curb Mount	<input type="checkbox"/> Pitched (standard) <input type="checkbox"/> Flat Roof	<input type="checkbox"/> Flat Roof (standard) <input type="checkbox"/> Curb Mount
Diffuser	<input type="checkbox"/> Ceiling (standard)	<input type="checkbox"/> Ceiling (standard)	<input type="checkbox"/> Ceiling (standard)	<input type="checkbox"/> Ceiling (standard) <input type="checkbox"/> Open Warehouse <input type="checkbox"/> Transition Box
Diffuser Lens	<input type="checkbox"/> Prismatic (standard) <input type="checkbox"/> Soft White	<input type="checkbox"/> Prismatic (standard) <input type="checkbox"/> Soft White	<input type="checkbox"/> Prismatic (standard) <input type="checkbox"/> Soft White	<input type="checkbox"/> Prismatic (standard) <input type="checkbox"/> Soft White <small>(NA for Transition Box)</small>

ACCESSORIES - please indicate quantity				
2 ft. Light Pipe				
Adjust. Elbows				
Remote Dimmer			NA	
Light Kit				
Exhaust Fan		NA	NA	NA
Tile Roof Flashing				NA



EVERETT
 phone: 1-800-666-6065
 fax: 425-258-6734

SPOKANE
 phone: 1-800-382-5403
 fax: 509-921-2137

SALEM
 phone: 1-800-664-1257
 fax: 503-391-0974