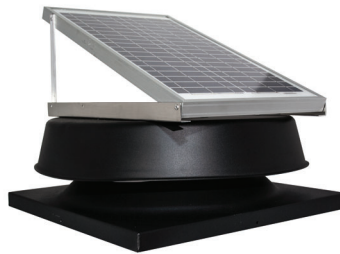


Vent More Air with Less Roof Penetrations

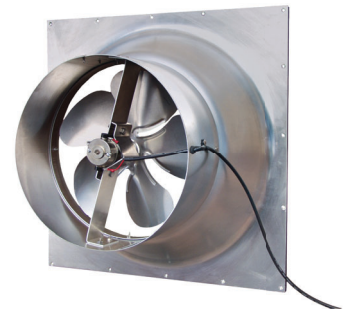
Solar Attic Fans are a simple and environmentally sensible solution that can protect your home and even save you money. Powered completely by free solar energy, this sleek and efficient attic vent is compact, quiet and powerful! Simply, the function of a solar attic fan is to improve attic air circulation resulting in a healthy, energy efficient home. Solar attic fans pull hot air and moisture out of your attic extending the life of your roof. In summer months, it keeps your attic cooler helping reduce the load on your HVAC system. In winter months, it prevents moisture build-up and ice damming. Our Solar Attic Fans are one of the best in their class with the highest standards for quality and functionality. We offer a 25 year product warranty – best in the industry.



Roof Mounted



Curb Mounted



Gable Vent Mount

Venting Capacity

- 16 watt: up to 1,185 cfms (1,300 sf)
- 32 watt: up to 1,560 cfms (2,200 sf)
- 48 watt: up to 1,880 cfms (2,825 sf)
- 65 watt: up to 2,105 cfms (3,350 sf)

Available Accessories

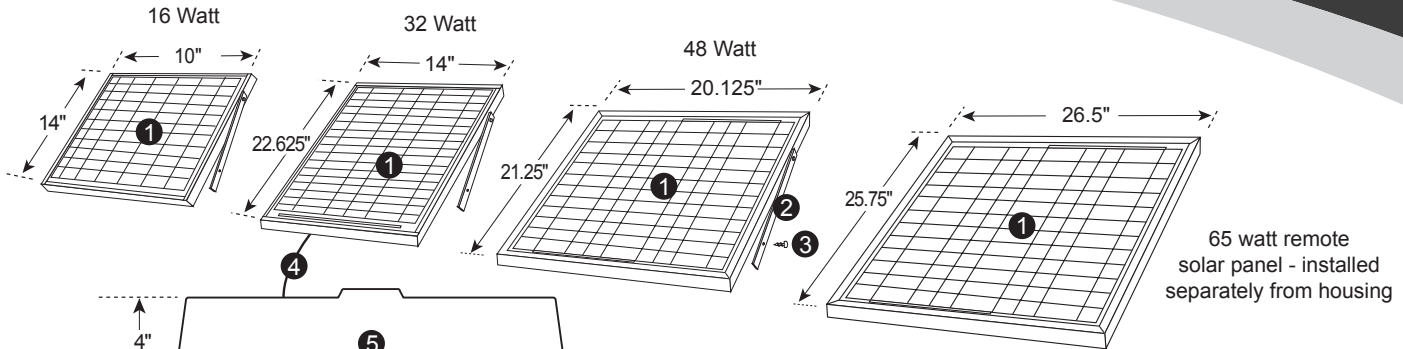
- Thermal Snap Switch
- Fire Safety Cutoff Switch
- Garage Vent Kit
- Remote Solar Panel
- Tile Roof Flashing

Key Components

- Adjustable Solar Panel
- Aluminum Powder-Coated Housing
- Powerful, Quiet Motor
- Motor Isolation Bracket
- 5 Wing Fan Blade
- Protective Animal Screen
- Leakproof Aluminum Flashing



Solar Attic Fan Technical Specifications



NOTE: Exploded view of Solar Attic Fan is for illustrative purposes only. Unit comes fully assembled.

1. Custom Solar Panel (16, 32, 48, or 65 watt available)*
2. (2) Adjustable Solar Panel Bracket
3. (2) #8 x .75" Self-Tapping Screws
4. 18 Gauge Tinned Copper Wire Lead
5. 1100 Series, Commercial Pure Grade Aluminum Hood
6. Custom DC Motor
7. Motor Bracket Assembly
8. Precision Pitch 5 Blade Fan
9. 3.25" x 48" Stainless Steel Wire Mesh
10. (4) Rugged 14 Gauge Hood Support Bracket
11. 1100 Series, Commercial Pure Grade Aluminum Flashing
12. (6) #6 x 1.5" Stainless Steel Phillips Head Screws

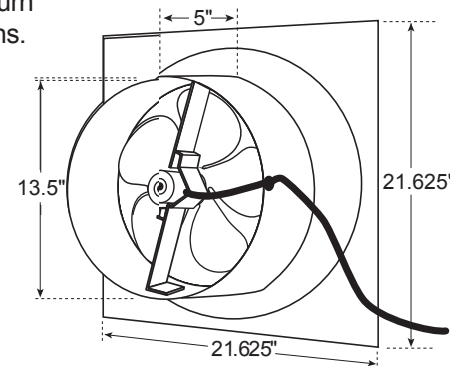
*solar panel dimensions may vary slightly

OPTIONAL ACCESSORIES:

Thermal Snap Switch
available to automatically turn off unit during colder months.

SOLAR PANEL VENTING CAPACITY

- 16 watts – up to 1,300 sf
up to 1,184 CFMs
- 32 watts – up to 2,200 sf
up to 1,560 CFMs
- 48 watts – up to 2,825 sf
up to 1,881 CFMs
- 65 watts – up to 3,350 sf
up to 2,105 CFMs



Gable Mounted Fan

Roof Mount Flashing

Curb Mount Flashing

