



Crystalite, Inc.  
3307 Cedar Street  
Everett, WA 98201

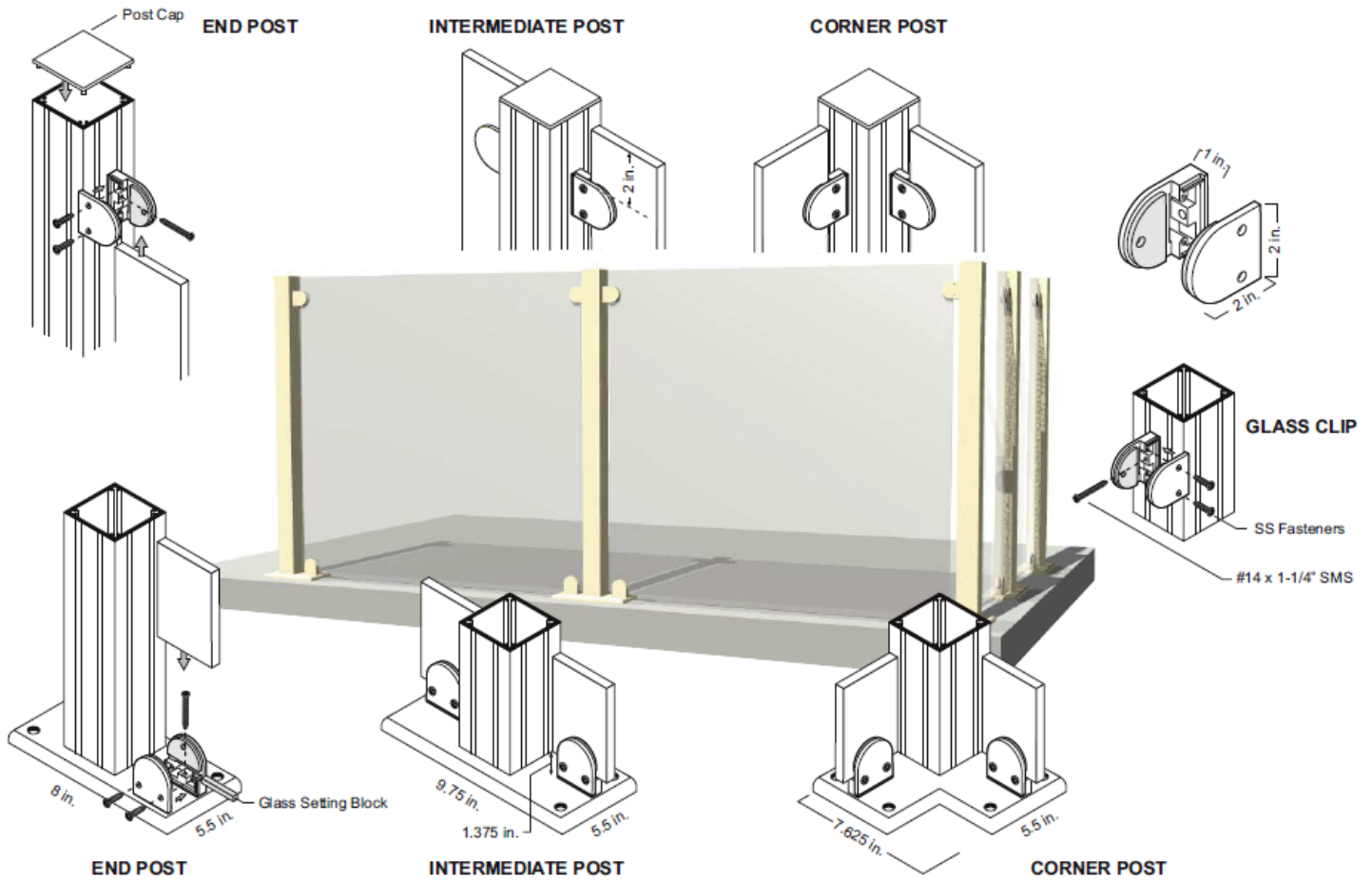
1-800-666-6065  
[www.CrystaliteInc.com](http://www.CrystaliteInc.com)  
[info@crystaliteinc.com](mailto:info@crystaliteinc.com)

Infinity Railing Installation Manual

## Infinity Railing Installation Manual



*Your Clear Choice™*  
[www.CrystaliteInc.com](http://www.CrystaliteInc.com)



**SECTION 1. PRE-INSTALLATION CONSIDERATIONS**

Step 1. Tool Requirements

- a. eye and ear protection
- b. electric drill / driver (cordless recommended)
- c. level
- d. combination square
- e. pencils
- f. string line
- g. measuring tape
- h. #3 x 6" square drive screw tip
- i. US & metric Allen wrench sets

Step 2. Open the parts box and check that the contents and quantities match the Parts Manifest.

- a. If the parts received do not match the Parts Manifest, call the dealer who the railing was purchased through and they will contact CrystaLite, Inc.

**SECTION 2. POSTS INSTALLATION**

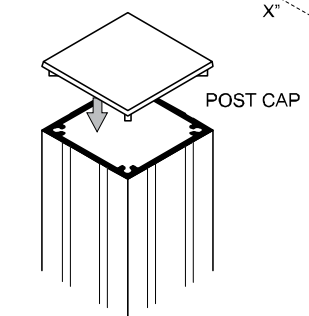
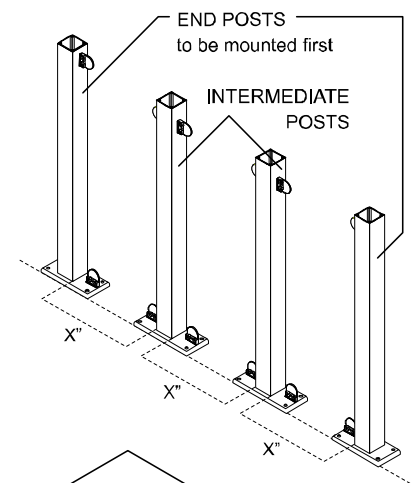
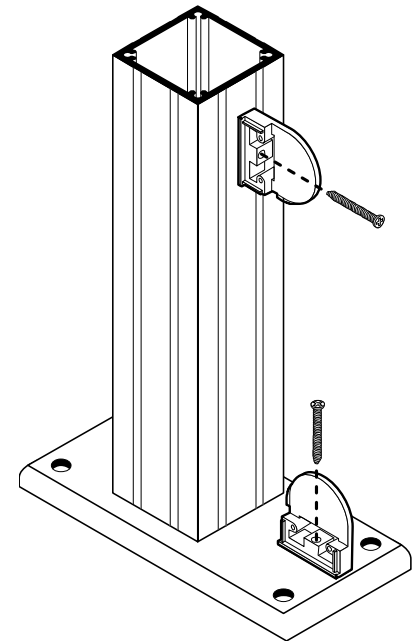
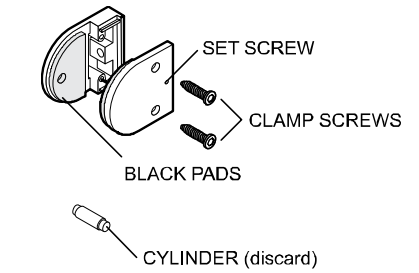
- Step 1. Unwrap posts and sort.
- End Posts will only have installation holes on one side and will be offset on the Base Plate.
  - Intermediate Posts will have installation holes on two sides and will be centered on the Base Plate.

- Step 2. Open and prep the Glass Clamps.
- Open each Glass Clamp box and remove the internal packaging.  
**Take special care not to lose a set screw that may been loose in the packaging. If a Set Screw is loose in packaging, reinsert it into the Glass Clamp with a 2.5 mm Allen wrench but do not tighten.**
  - Remove the 2 Clamp Screws from the Faces of the Glass Clamps with a 3 mm Allen wrench.
  - Set aside and save the Clamp Screws, separated Faces, and black Rubber Pads.
  - Discard the metal cylinders and plastic sleeves, these will not be used.

- Step 3. Attach the Glass Clamps to the Posts and Base Plates
- 2-1/2" (9006) Posts:** Insert a #14 x 1-1/4" Flathead Sheet Metal Screw through the base of the Glass Clamp and drive into the installation hole of the Post using a #3 square drive bit. Make sure to hold the clamp firmly to avoid twisting during the installation, thus scratching the post.
  - Slim Line Posts:** Through-bolt two Glass Clamps together through the post using 5/16" machine bolts and Nyloc nut.
  - Base Plates:** Insert a 1/4" x 20 x 1" Flathead Machine Screw through the base of the Glass Clamp and drive into the installation hole of the Base Plate using a 5/32" Allen wrench.

- Step 4. Post Installation.
- Refer to the post layout in the parts box. This will show how many posts are in each section.  
 Check that the Glass Clamps are facing in the proper orientation. For most installations, the previously removed faces and screws will be later installed on the deck side of the railing due to accessibility.
  - Mount the end posts and/or transition posts. Measure the opening between the mounted posts from the face of the posts (not base plates). Subtract from the measurement the widths of each intermediate to be used in the opening. Divide the remainder by the number of openings. This will give you your spacing between the posts as measured from the post faces.
  - Using a string line and a carpenter square, align the Posts in straight line runs.
    - This is critical to ensure that the glass fits properly.
  - Fasten and level each post to the deck.
    - Deck fasteners are not provided by the manufacturer.
    - Shims may be required to level the Posts. This is a very critical step as well.

- Step 5. Install Post Caps if required.
- Using a rubber mallet, gently tap one corner, followed by one solid hit on the center of the Post Cap.



**SECTION 3. GLASS ORDERING**

- Step 1. Measure for Glass
  - a. Measure each opening requiring glass, and list on the Measure Sheet for Infinity Rail Glass.
  - b. All measurements must be made from the inside edges of the bottom of the Posts.
    - Make sure that the bottom and top measurements are the same between Posts. Level as necessary.
  - c. **Do not make any deductions.** CrystaLite will determine final size based on the sizes listed.
- Step 2. Send the measure sheet to the Dealer where the railing was originally purchased.
- Step 3. Your Dealer will send the measure sheet to CrystaLite, Inc.
- Step 4. Glass will be delivered to your Dealer. (Typically)



**SECTION 4. GLASS INSTALLATION**

NOTE: Two people are recommended for glass installation.

- Step 1. Install the black Rubber Pads on to the Glass Clips installed on the Posts and the Glass Clip faces that had been set aside.
- Step 2. Insert the 1/4" x 1/2" x 2" black Setting Blocks on to the base of the Glass Clamps. Setting Blocks will fit snugly between the Rubber Pads and the Glass Clamp base, keeping them in place.
  - a. Since the Glass Clamps are made out of metal, never set the glass onto the Glass Clamps without the Setting Blocks. The glass could potentially break.
    - Note:** All the tempered glass has a tempered logo designating that it is tempered. It looks better if all logos are placed in the same corner. Bottom corner recommended.
- Step 3. Lift and set a Glass Panel into an opening by placing the bottom edge on to the Setting Blocks installed on the Glass Clips on the Base Plates. Then tilt the Glass Panel to its vertical orientation, ensuring that aligns properly with the Post Glass Clamps. Glass vacuum cups are recommended for easier installation.
  - a. Starting with the Post Glass Clamps, install the Faces by inserting at least one Clamp Screw with a 3 mm Allen wrench. Do this for all 4 clamps while keeping some pressure on the panel. This will keep the panel in place and keep it from slipping off the bottom glass clamps.
    - i. The Glass is now relatively secure. Install the remaining Clamp Screws and tighten.
    - ii. Use a 2.5 mm Allen wrench to tighten the Setting Screws. This will put pressure on the rubber pads and tighten the face.
  - b. Repeat for each Glass Panel to be installed.

